

ATLAS N TRACK CLEANING CAR

Item #s 32550-32551

ATTENTION:

GENERAL INFORMATION

1. Track cleaning car is not recommended for use with DCC.
2. It is essential that the surfaces of the track and wheels are kept clean at all times.
3. Mechanisms should be examined from time to time and any hair or lint (from carpet, etc.) removed.

CLEANING CAR OPERATION

- Recommended for use with Atlas brand track products. Ensure that the cleaning car is connected to a locomotive.
- Avoid disassembling or modification of the cleaning disc spring.
- Run slowly when under the CL-POWER mode position. When running at high speed, select the ON position.
- Don't touch the cleaning disc while it is rotating.
- After using the moisture type disc, wait until the fluid remaining on the track has evaporated before resuming layout operations.
- Use only commercial track cleaning fluid.
- The cleaning disc will wear down fast. Change when necessary.
- Excessive use of a dry type cleaning disc may cause wear on your tracks.

SET CONTENTS (Fig. 1)

- 1.....Track Cleaning Car
- 3.....Dry Type Cleaning Disc (File)
- 3.....Moisture Type Cleaning Disc (Cloth)
- 1.....Vacuum Fan Disc (Installed)
- 1.....Disc Changing Tool
- 1.....Brush (w/double faced tape)
- 1.....Sponge
- 1.....Cleaner Nozzle

DISC USAGE

- Normally use moisture type disc.
- In case of persistent dirt, use dry type disc.
- For removal of small dust or trash on the track, use vacuum fan disc.

Fig. 2 - How to change discs.

- Moisture/Dry Cleaning Disc: Using the disc change tool, lift up the disc by inserting the flat end of the tool and twist to remove it.
- Vacuum fan disc: Insert the "fork" end of the disc change tool into the cavity and pull it out.

Fig. 3 - How to insert discs.

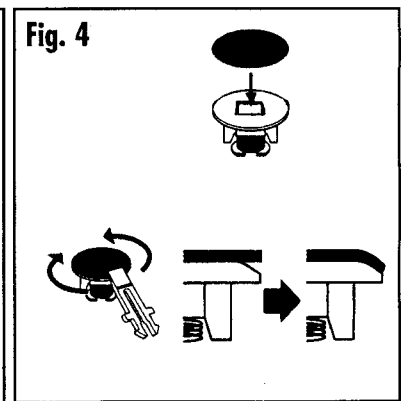
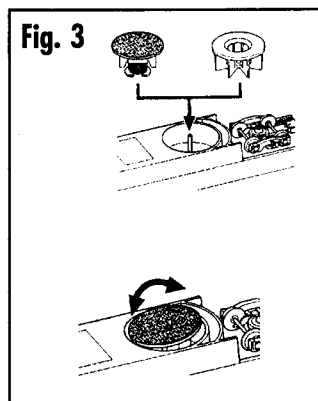
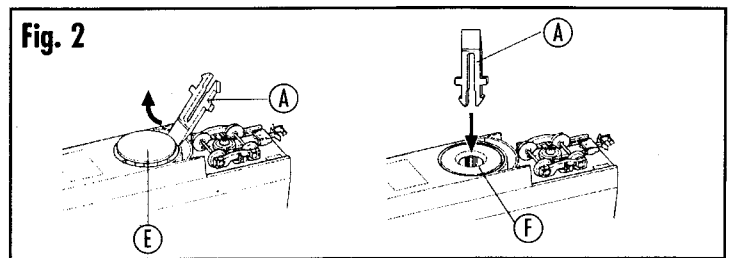
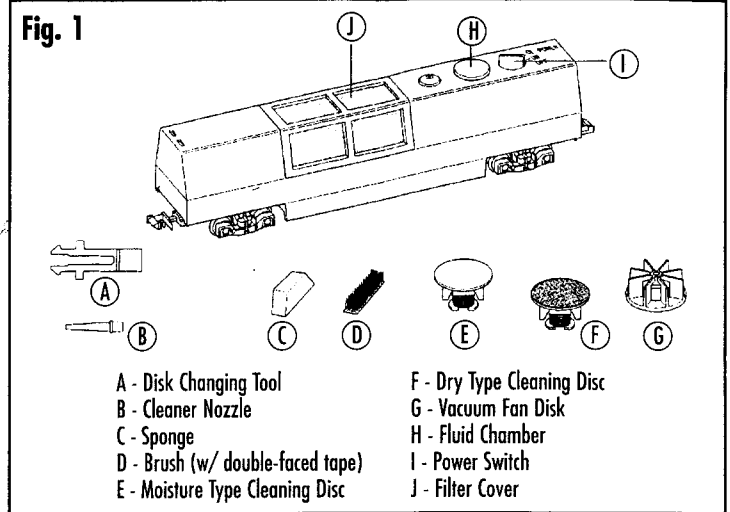
- Insert a disc firmly onto the shaft of the motor.
- A correctly installed disc will lightly rock from side to side.

Fig. 4 - How to replace disc head.

- Carefully glue the disc to the disc head.
- Smooth edges down flat.

SPARE PARTS:

- Item #32552: Replacement Cleaning Disc Set
- Item #32553: Replacement Head Set



BASIC USAGE

A. Vacuuming of dust/trash on the track

1. Check if vacuum fan disc is installed.
2. Turn on motor and run car around layout with a locomotive.
3. After cleaning, remove the filter cover and remove the dust/trash collected using a swab. Also clean the filter cover and fan disc.

NOTE: Don't use water, cleaner or other chemical liquid for cleaning. Use only commercial track cleaning fluid.

Fig. 5

- Avoid sudden stopping or starting while operating.
- Remove large dirt/dust pieces from track by hand.
- Car can be run in either direction, as shown.

B. Cleaning of the track surface (Moisture Cleaning)

Fig. 6 - Using moisture type disc.

1. Install moisture type cleaning disc onto the motor shaft.
Insert the wide part of the sponge into the bottom of the car.
2. Fill fluid chamber, taking care not to overfill or spill any of the fluid.
3. The car should only be run in the direction shown.
4. After cleaning, wipe off excess fluid and remove the sponge.

C. Dry Cleaning

Fig. 7 - Using dry type disc.

Install dry type cleaning disc onto the motor shaft. This disc is used when the moisture disc is unable to properly clean the track. The car may be operated in either direction when the dry disc is used. **Note:** Before using, confirm that the track surface is not wet. Frequent use may cause damage to the track surface.

OTHER USAGE

To remove dust on the ties.

Fig. 8

- After installing fan disc and brush, run the car both ways along track.
- The fan and brush should not be used over track with obstructions higher than the ties, such as Crossings, Signals, Extendable Track, Cleaning track, etc.

Fig. 9

Keep the switch in the ON position when assembling/disassembling.

Fig. 6

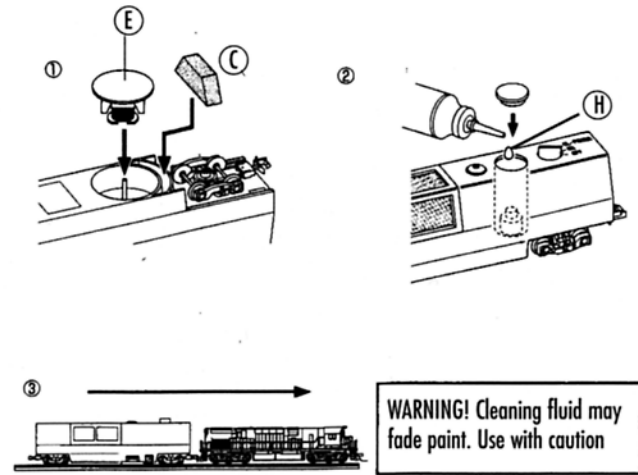


Fig. 7

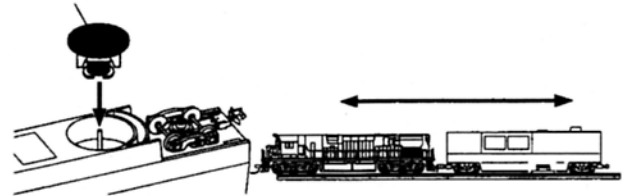


Fig. 9

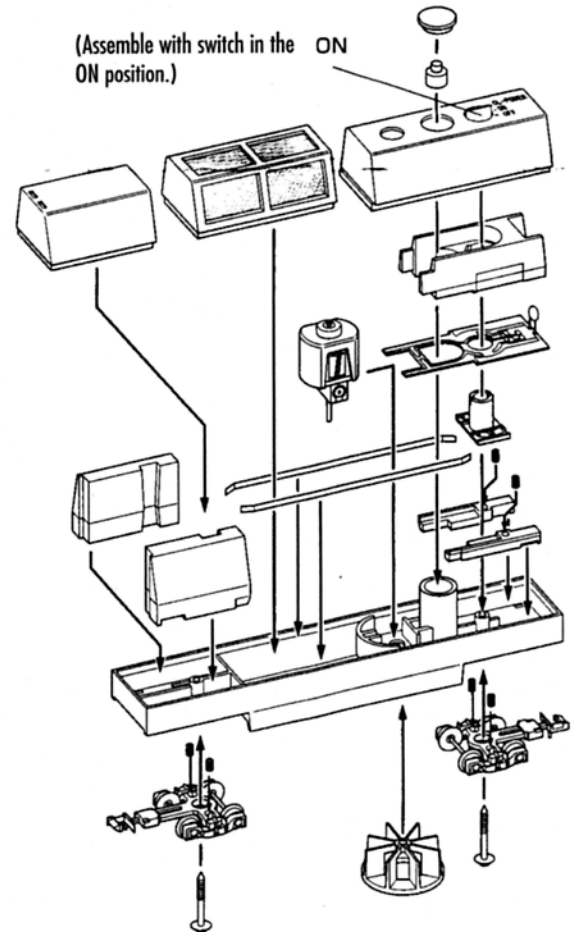


Fig. 5

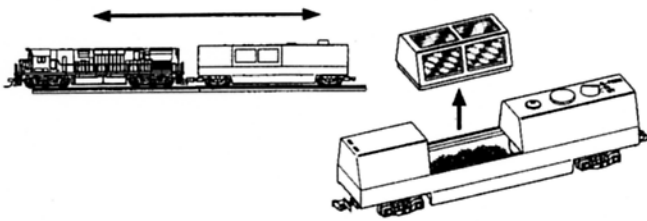
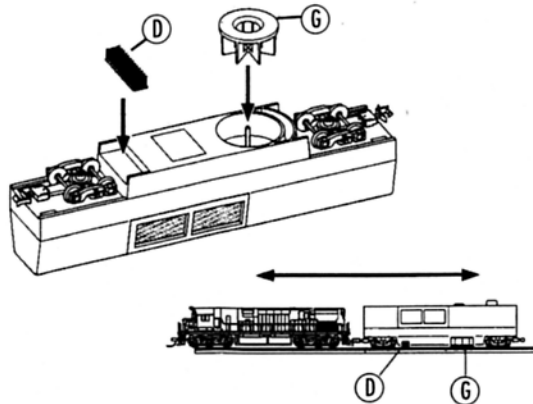


Fig. 8



ATLAS MODEL RAILROAD CO., INC.
378 FLORENCE AVENUE
HILLSIDE, NJ 07205 • www.atlasrr.com