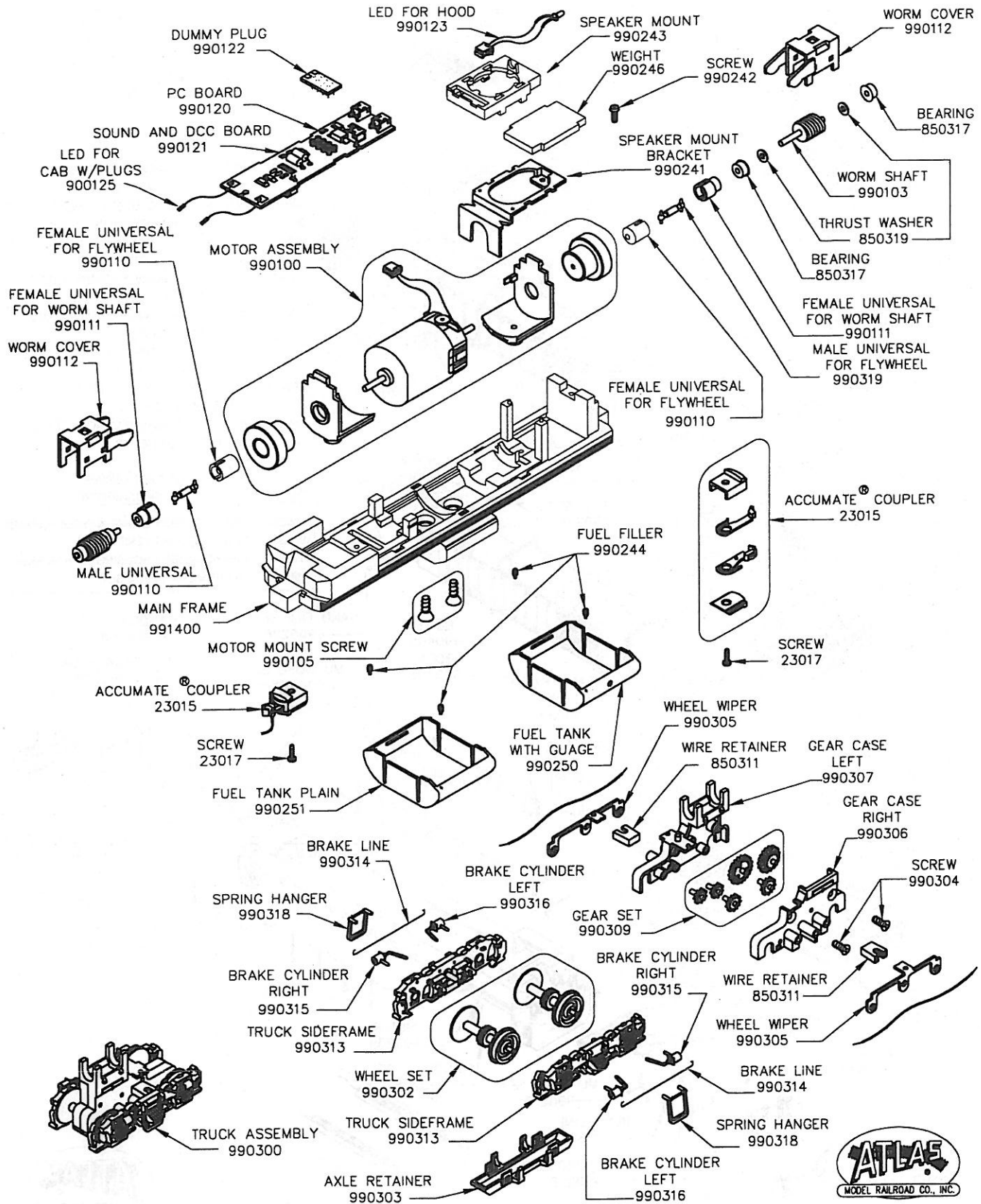


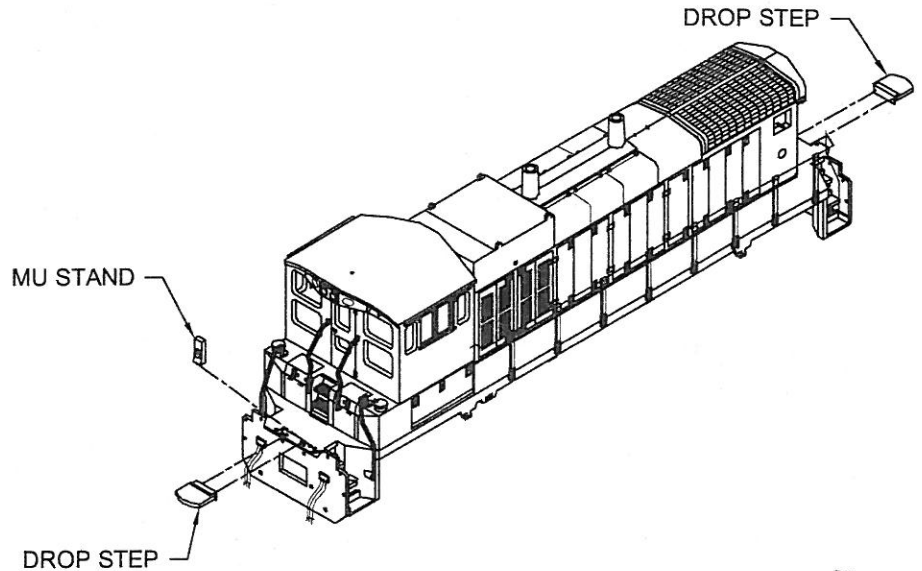
MP-15 DIESEL SWITCHER LOCO HO SCALE



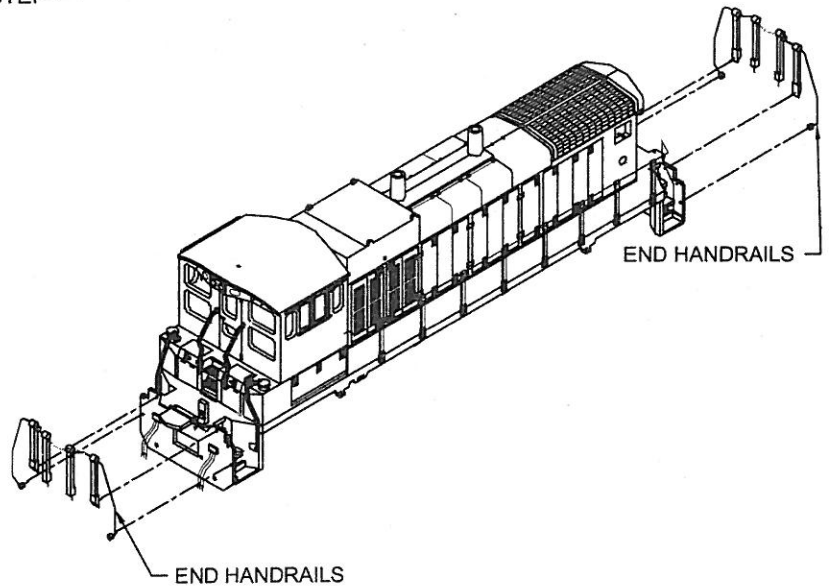
HO MP15DC LOCOMOTIVE DETAIL PART ASSEMBLY INSTRUCTIONS

1. INSERT DROP STEPS INTO SPACE PROVIDED ON FRONT / REAR PILOT

2. INSERT MU STAND INTO TOP OF FRONT / REAR PILOT



3. INSTALL FRONT AND REAR END HANDRAILS. A #75 DRILL BIT MAY BE USED TO CLEAR PAINT FROM THE MOUNTING HOLES ON THE PILOT.

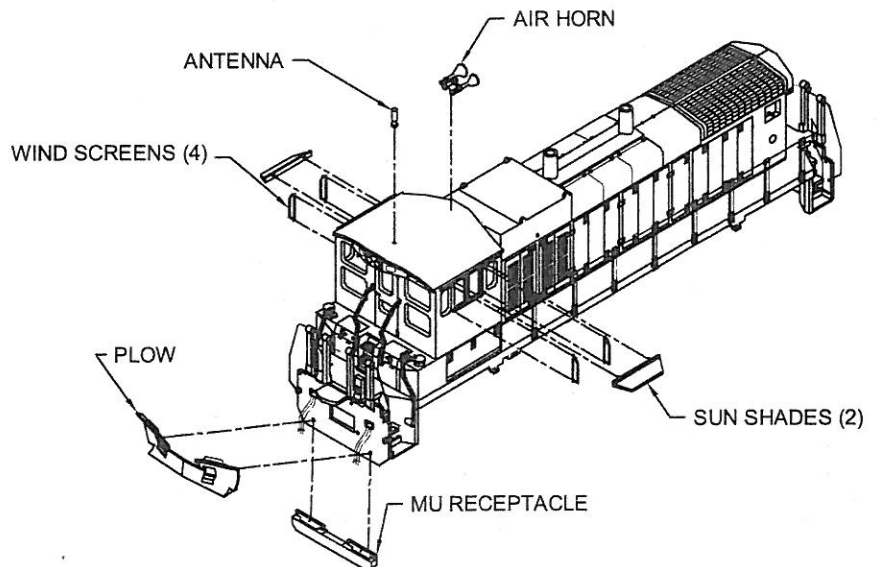


4. APPLY PLOW OR MU HOSE RECEPTACLE PART TO FRONT / REAR PILOT

5. INSTALL WIND SCREENS INTO SIDES OF LEFT/RIGHT CAB WINDOWS

6. APPLY CAB SUN SHADES

7. INSTALL AIR HORN AND ANTENNA (IF INCLUDED) INTO HOLES ON CAB ROOF (PLACEMENT OF THESE DETAILS VARIES BASED ON ROAD NAME).



BODY SHELL REMOVAL INSTRUCTIONS

1. UNSCREW AND REMOVE BOTH THE COUPLERS AND COUPLER BOXES.
2. THE BODY SHELL IS HELD IN PLACE WITH FRICTION. USING BOTH HANDS, CAREFULLY GRASP THE CENTER OF THE HOOD AND THE FUEL TANK. GENTLY SEPARATE THE HOOD AND SILL UNIT ASSEMBLY FROM THE CHASSIS.