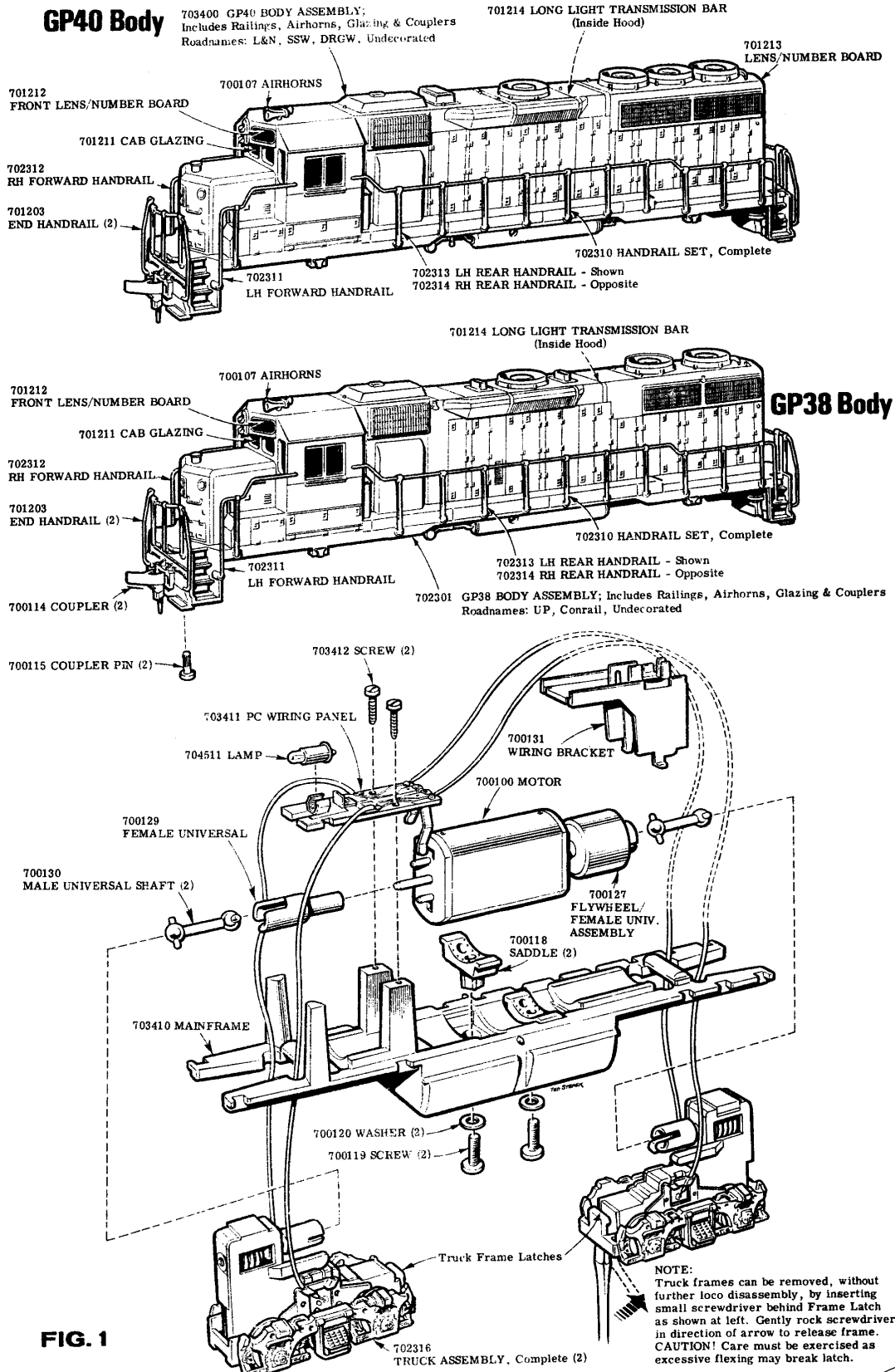


HO EMD GP38/40 DIESEL LOCO (A) ROCO



GP38 & GP40 Locomotive Assembly Exploded